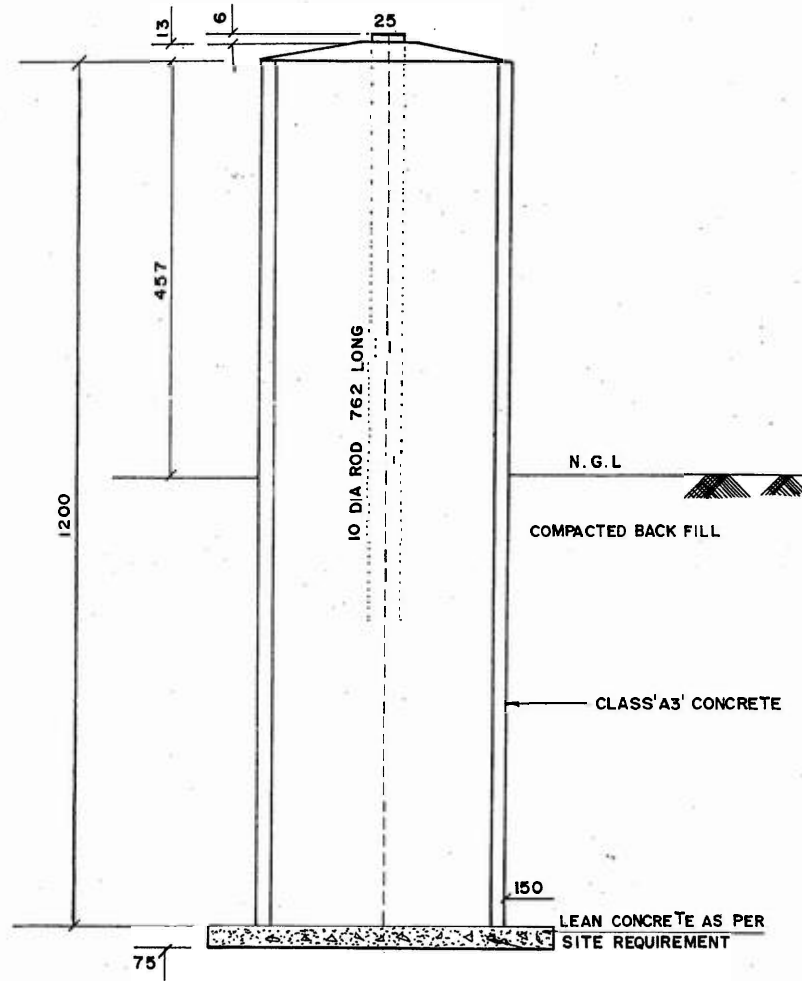
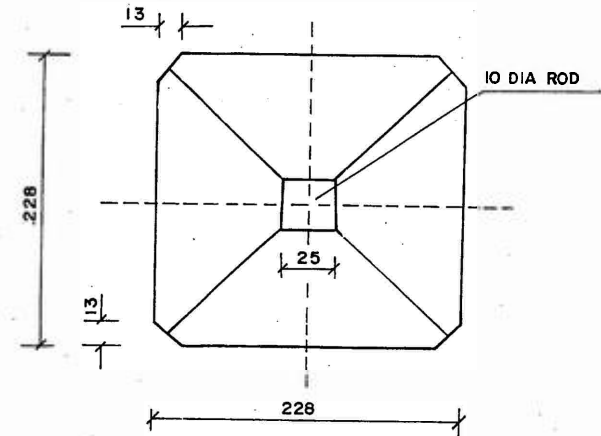


R.O.W. MARKER



ELEVATION



PLAN

NOTES

1. ALL DIMENSIONS IN MILLIMETERS UNLESS OTHERWISE NOTED.
2. CENTER TO CENTER DISTANCE SHOULD BE 500M.R.O.W./MARKER SHOULD BE REFERRED TO TOPOGRAPHICAL PLANS I.e. IT IS TO BE PLACED AT Km 0,0.5,2.0.....)
3. R.O.W MARKER TO BE PLACED ON BOTH SIDES OF CARRIAGEWAY.
4. THE EXPOSED POSITION OF MARKER TO BE PAINTED IN YELLOW.
5. ROWB NHA TO BE ENGRAVED ON THE INNER FACE OF THE MARKER
6. OUTER FACE TO BE PAINTED IN BLUE.
7. BACKFILL TO BE COMPACTED AS PER THE SPECIFICATION FOR BACKFILL AROUND STRUCTURE.

GENERAL SPECIFICATION ITEM
Nos. 6/0,401,107

STANDARD DRAWING
FOR
R.O.W. MARKER

DESIGNED	<i>[Signature]</i>	DATE	: 01-03-
DRAWN	M. ASHRAF	SCALE	: N.T.S
CHECKED	<i>[Signature]</i>	DRAWING NO	ROW-
APPROVED	<i>[Signature]</i>		