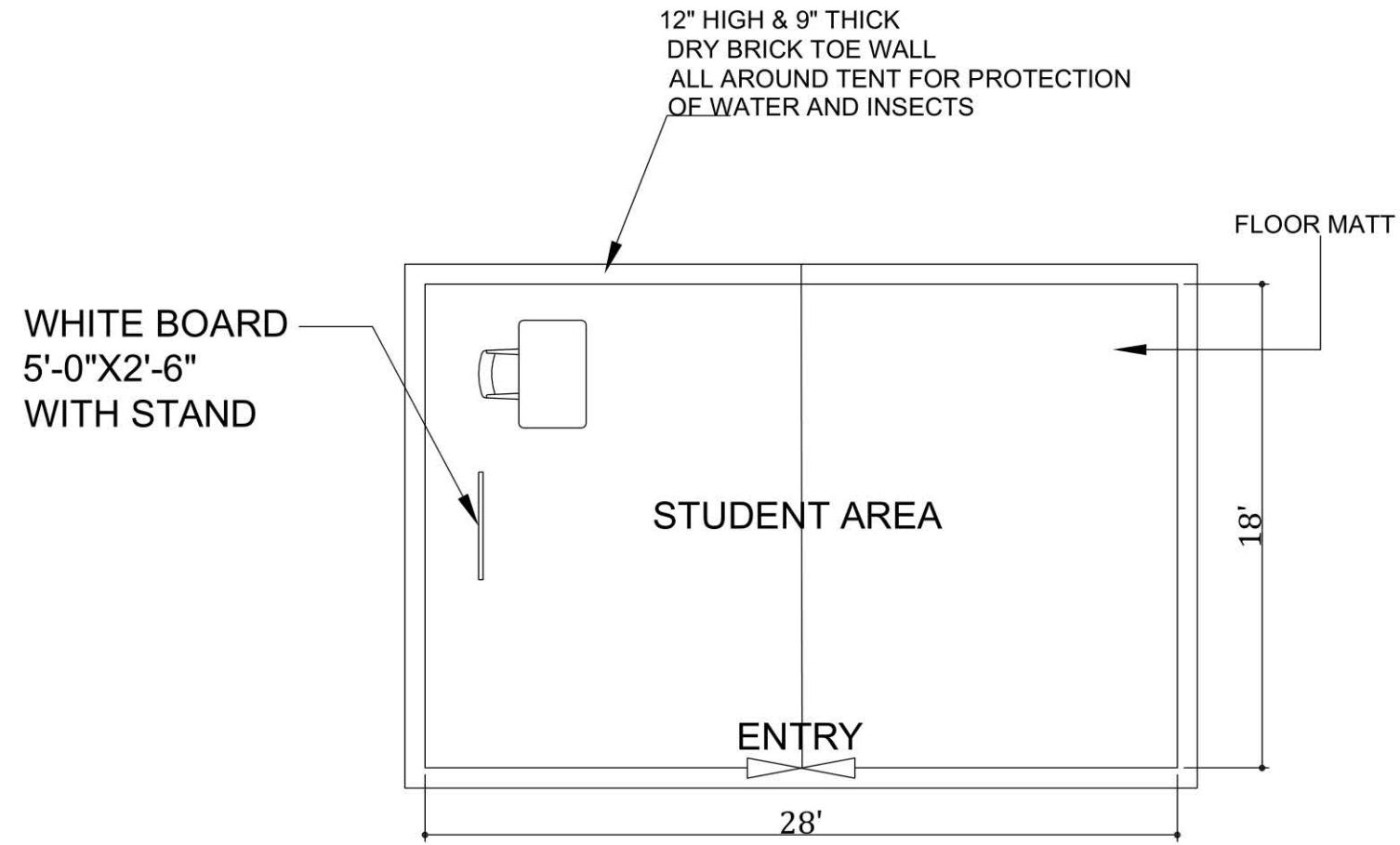
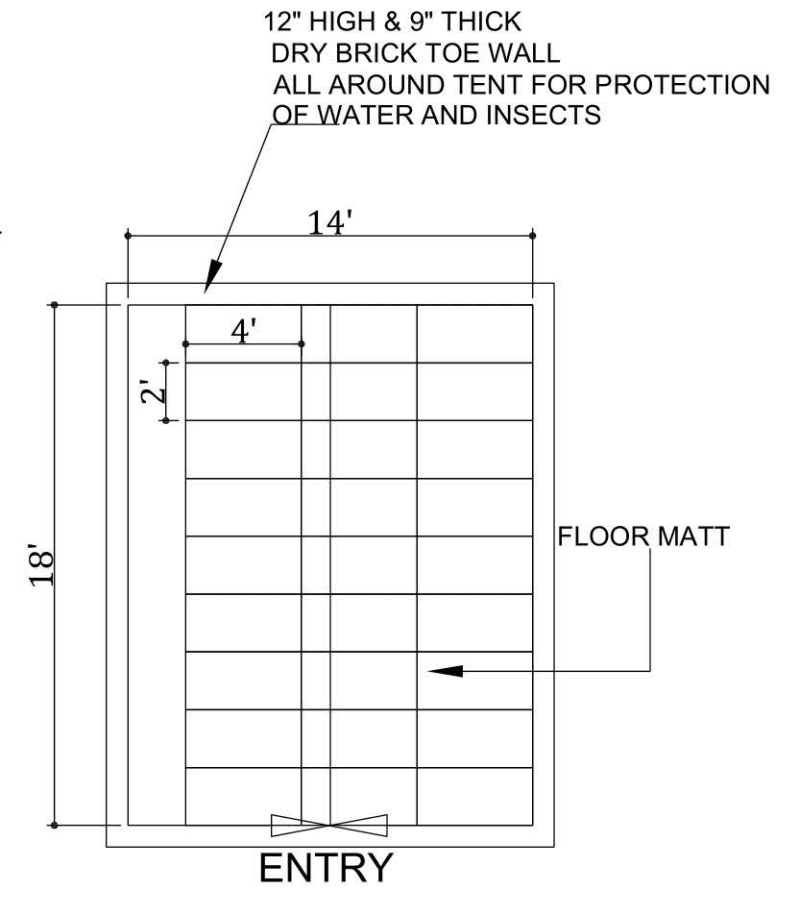


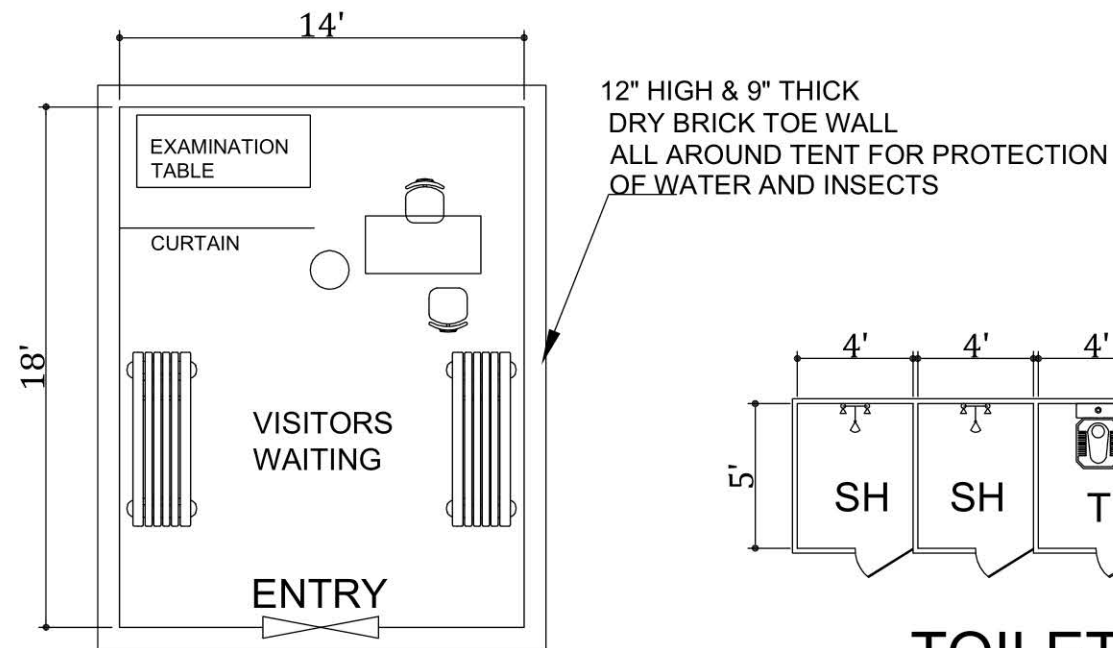
**FLOOD RELIEF TENT VILLAS**



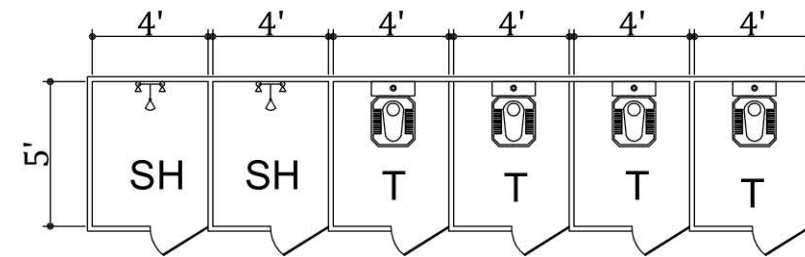
SCHOOL



MOSQUE

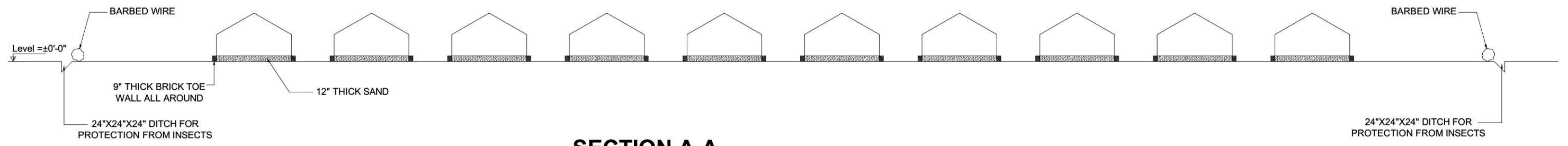


DISPENSARY

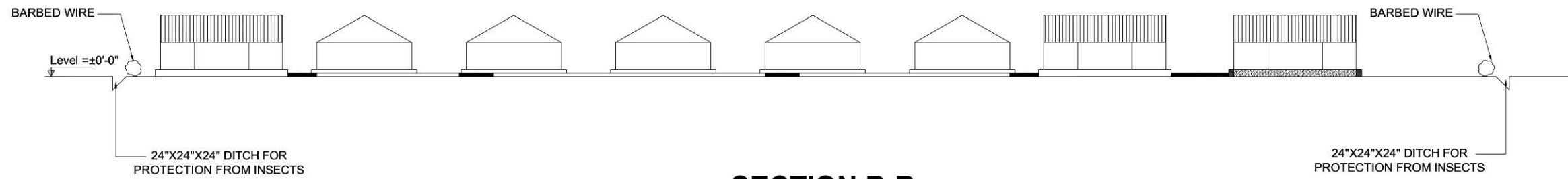


TOILET BLOCK

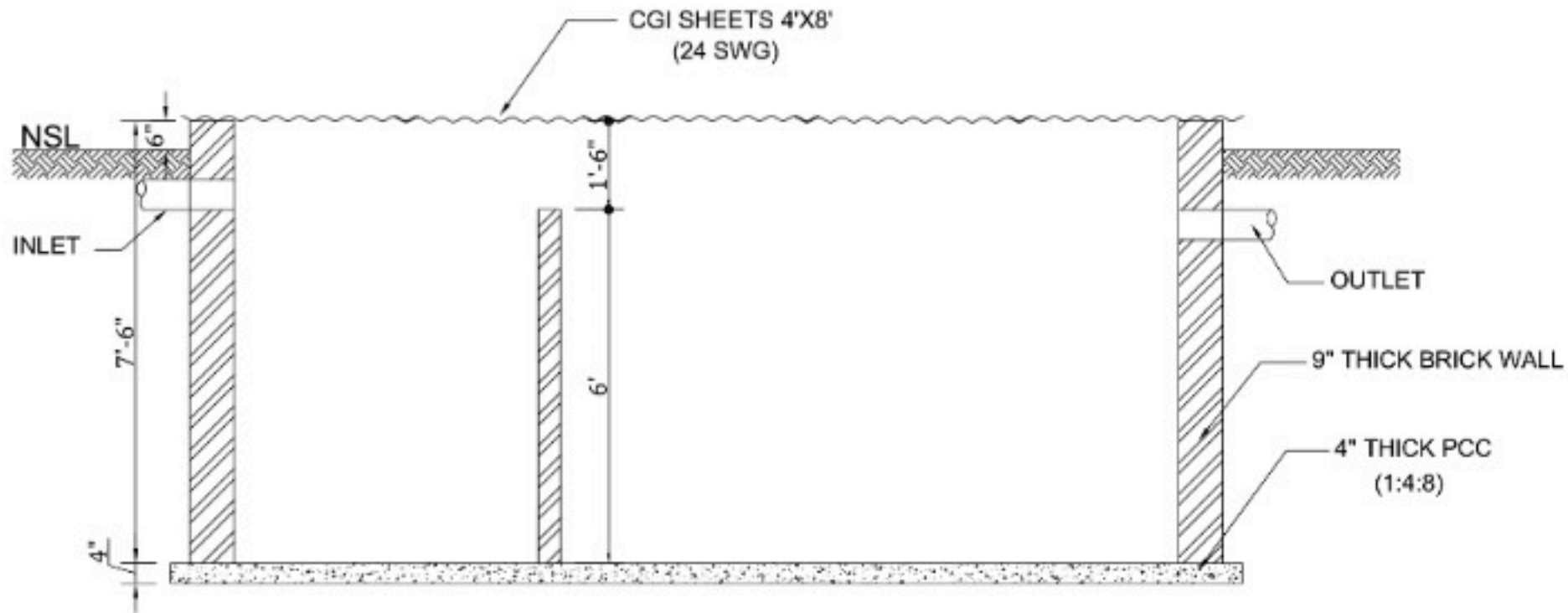
SCHEMATIC LAYOUT



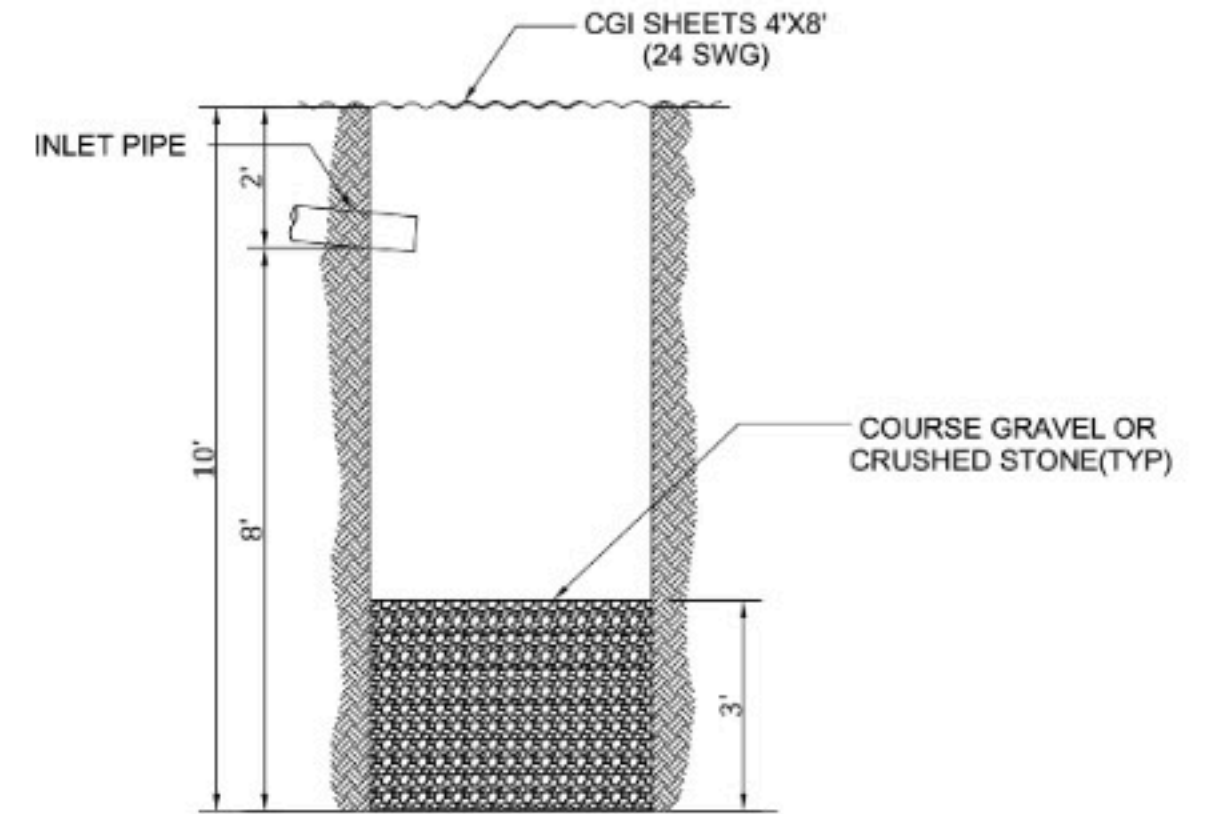
**SECTION A-A**



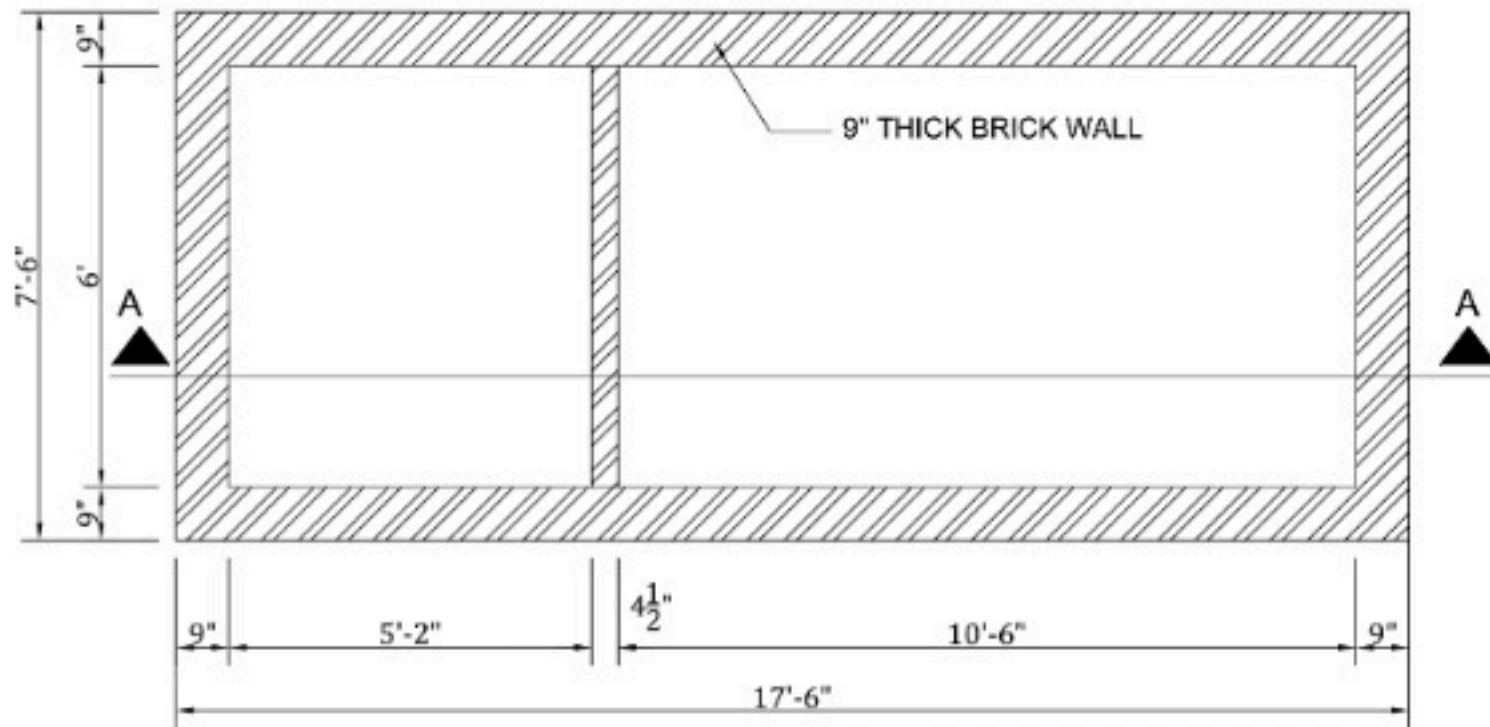
**SECTION B-B**



**SECTION A-A**

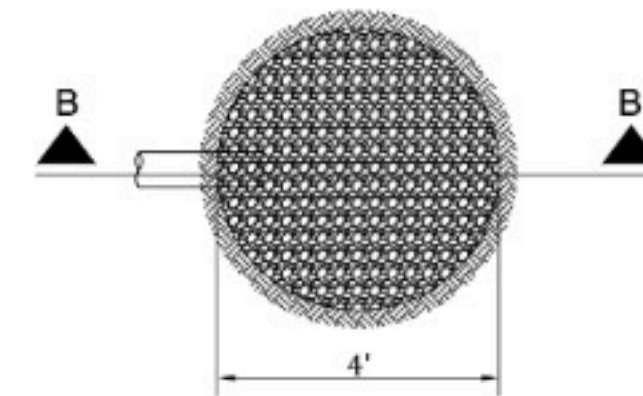


**SECTION B-B**

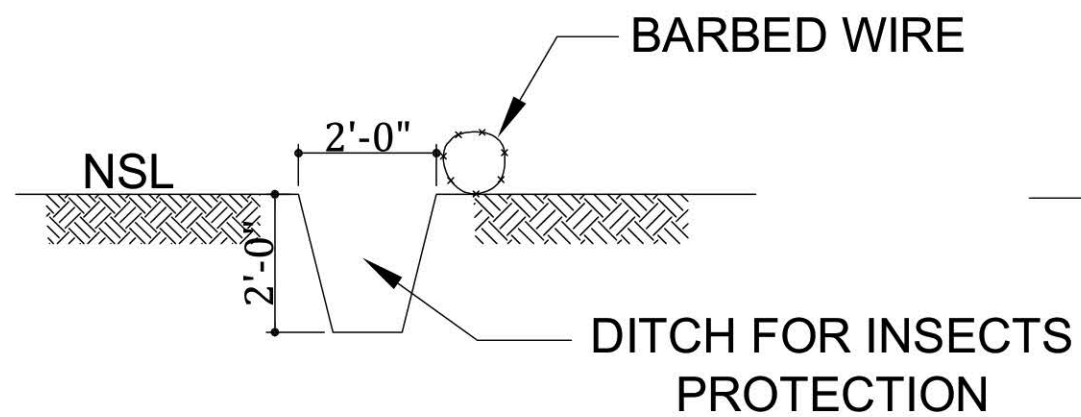


**PLAN OF SEPTIC TANK**

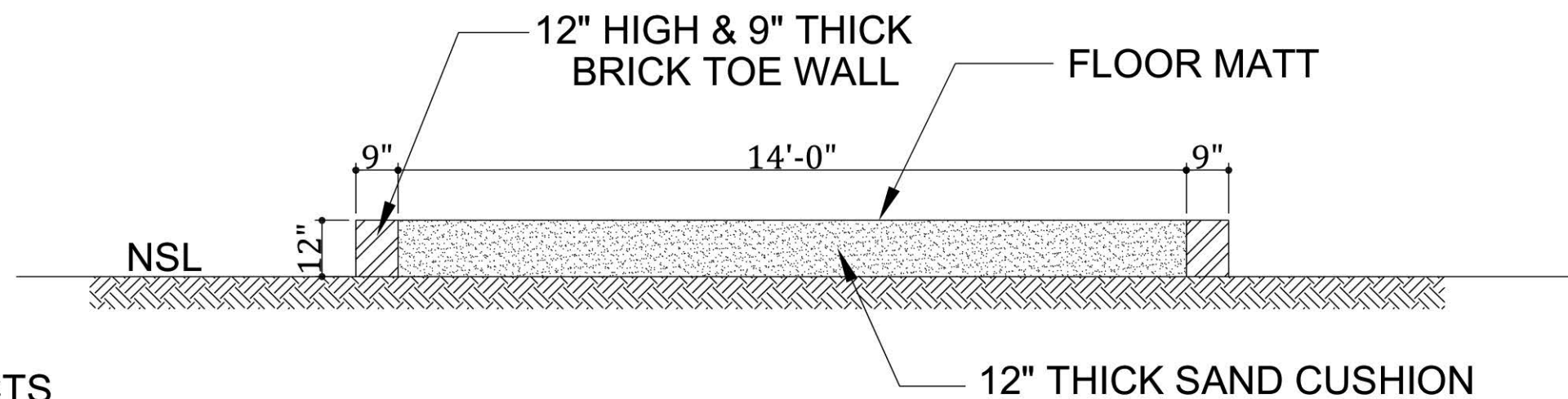
NOTE: INLET, OULET PIPES & TANK ACCESS TO BE ADJUSTED AT AS PER PLAN



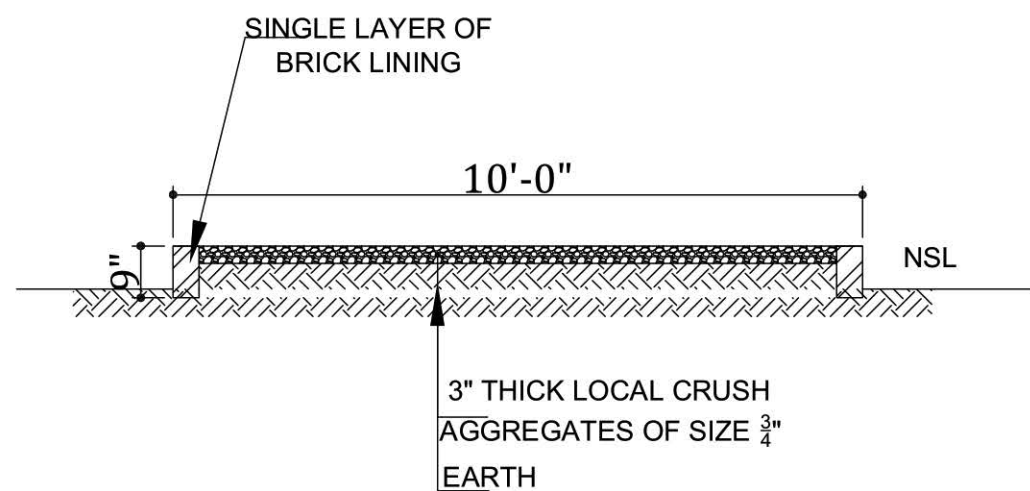
**PLAN OF SOAKAGE PIT**



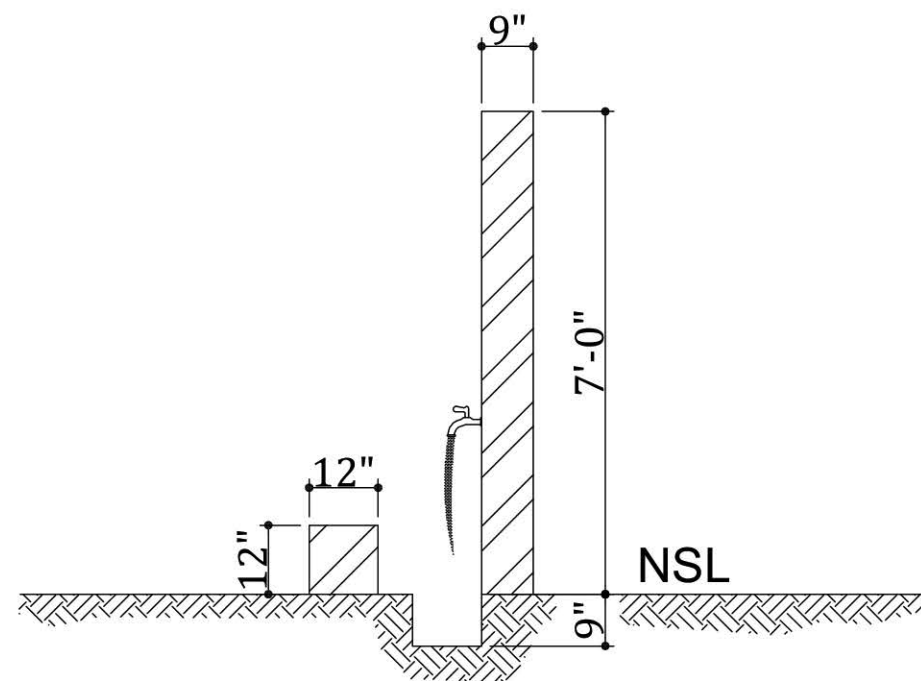
DITCH DETAIL



TENT FLOOR DETAIL



WALKWAY DETAIL



HANDWASH / ABLUTION DETAIL